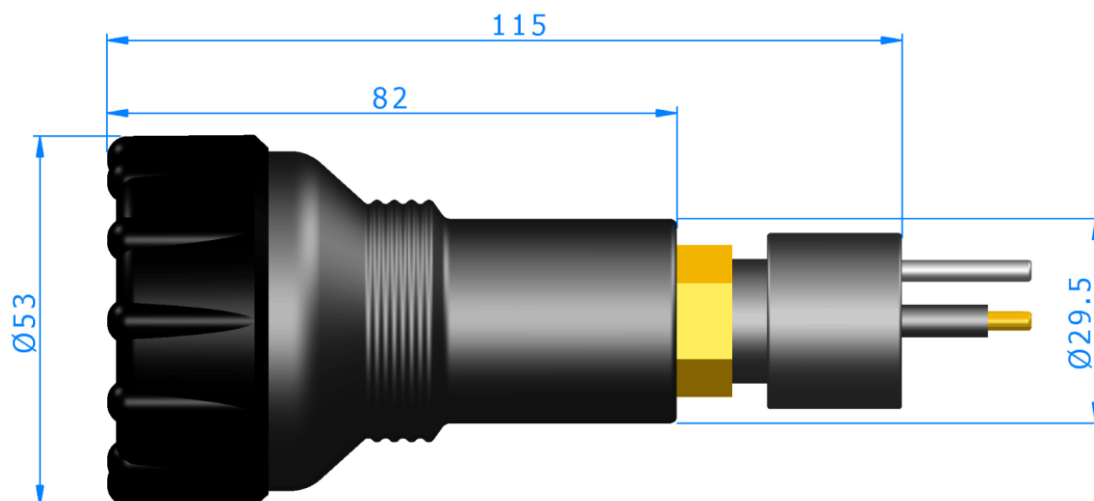


**Heptastar 1800 BULK 40° P****Electrical Specifications**

<b>Voltage</b>	8V (0%) - 13V (100%)
<b>Bulkhead</b>	any with 7/16-20 UNF thread, standard BH2MP is mounted
<b>Power</b>	21W @ full power
<b>Emitter</b>	7 x Cree XP-G
<b>Driver</b>	Microprocessor controlled PWM 0 - 100% linear dimming with GFI Dive Light Controller Thermal protection

**Material Specifications**

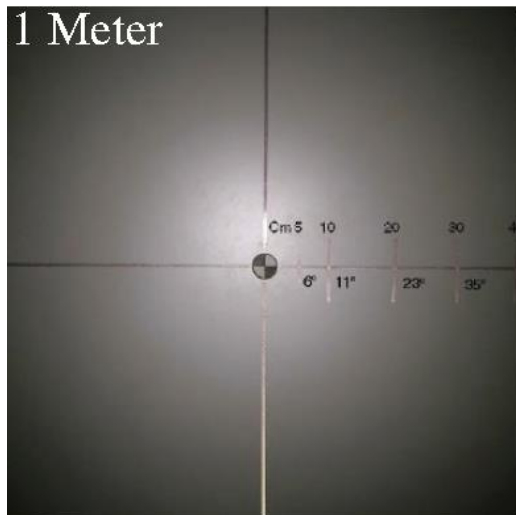
<b>Body</b>	Aluminum AA6023 AlMgSiSnBi
<b>Treatment</b>	Black Hard anodization MIL-A-8625 Type III with Surlon MIL-A-63576 coating
<b>Optics</b>	High efficiency Polycarbonate
<b>Front Lens</b>	10mm BK7 glass
<b>Depth rating</b>	250 m, 26 BAR
<b>Weight</b>	230g



## Optical Specifications

<b>Luminous Flux</b>	1800 lumen @ 12V
<b>Illuminance</b>	2600 lux @ 1m
<b>Beam Angle</b>	40°
<b>Color</b>	5200K

### Beamshot



### Spectro Metric Analysis

